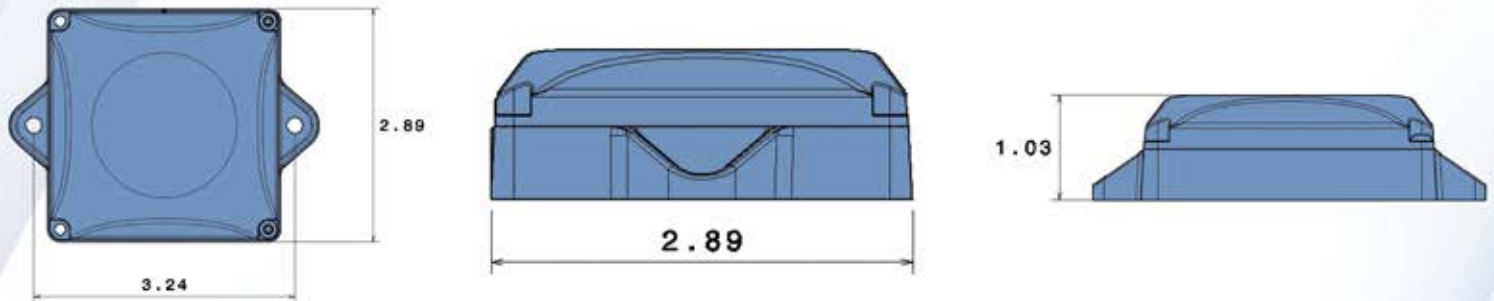


Product Diagram



Product Spec:

Model Name	V-Tag GPS – Compact	V-Tag GPS – Whip Antenna
Weight	4.0 oz. (113g)	5.8 oz. (164g)
Dimensions	4 in x 3 in x 1.25 in (102mm x 76mm x 32mm)	5.25 in x 3 in x 1.25 in (133mm x 76mm x 32mm)
Temperature Range	-40°F to 167°F (-40°C to 75°C)	-40°F to 167°F (-40°C to 75°C)
Battery Life	2 Years	2 Years
Communication Protocol	LoraWAN	LoraWAN
Frequency	915 MHz	915 MHz
Transmit Power	20 dBm	20 dBm
Maximum Range	2000 ft. (610m)	4000 ft. (1220 m)
GPS Receiver Sensitivity	High sensitivity: -167 dBm @ Tracking, -149 dBm @ Acquisition, 99 acquisition channels, 33 tracking channels	High sensitivity: -167 dBm @ Tracking, -149 dBm @ Acquisition, 99 acquisition channels, 33 tracking channels
GPS Precision	10-15ft. typical	10-15ft. typical
Ingress Protection	IP67	IP67